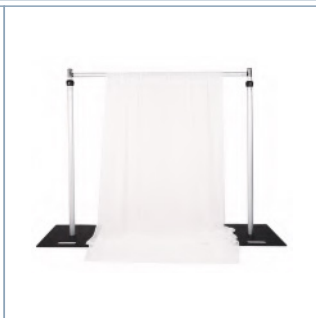


Blossom Furnishings

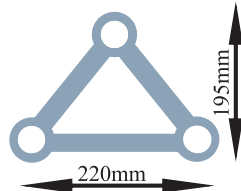


- Spigot truss 1-19
- Crowd Barrier 20
- Pipe and drape 21-26
- Aluminum stage 27-29
- "4 legs" stage 30-34
- Riser stage 35-38
- Flight case series 39-50

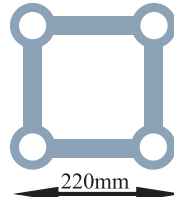




A22-1



A22-2



A22-3

A221-A223 TRUSS

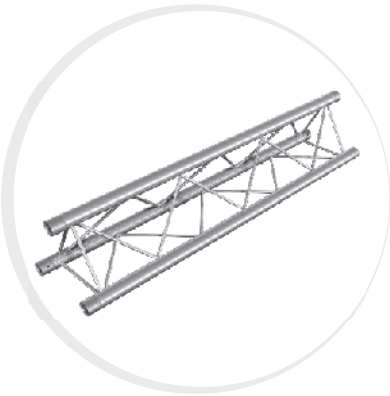
Main tube 35mm
 Thickness 1.8mm
 Brace 8mm Solid
 Material 6082-T6
 Powder Coating and anodize
 Coating are available

A22-1 Straight



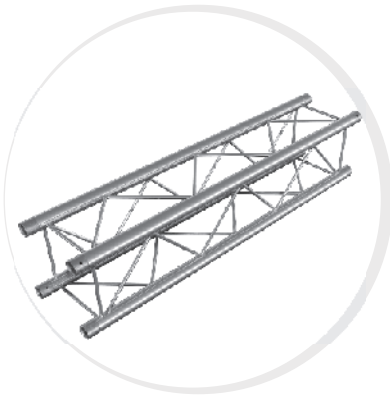
Code	Length	Weight
A221-0.5m	0.5m	1.0kg
A221-1m	1.0m	1.52kg
A221-1.5m	1.5m	2.3kg
A221-2m	2.0m	2.81kg
A221-2.5m	2.5m	3.23kg
A221-3m	3.0m	3.93kg

A22-2 Straight



Code	Length	Weight
A221-0.5m	0.5m	1.63kg
A221-1m	1.0m	2.72kg
A221-1.5m	1.5m	3.63kg
A221-2m	2.0m	4.64kg
A221-2.5m	2.5m	5.62kg
A221-3m	3.0m	6.26kg

A22-3 Straight



Code	Length	Weight
A221-0.5m	0.5m	2.05kg
A221-1m	1.0m	3.41kg
A221-1.5m	1.5m	4.69kg
A221-2m	2.0m	5.90kg
A221-2.5m	2.5m	7.21kg
A221-3m	3.0m	8.75kg

A22-1 loading table (need support at each 1 meter)

Length	UDL	CPL	3rd PL	4th PL	5th PL
m	kg/m	kg	kg	kg	kg
1	200	199	101	68	50
2	101	194	96	66	49
3	68	190	92	64	47
4	50	160	89	62	47
5	39	141	83	60	46
6	32	125	79	59	43

A22-2 loading table

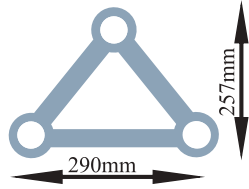
Length	UDL	CPL	3rd PL	4th PL	5th PL
m	kg/m	kg	kg	kg	kg
1	359	258	179	119	89
2	178	196	167	105	86
3	118	155	129	98	82
4	87	130	105	77	66
5	58	110	87	65	54
6	39	97	78	54	47
7	27	85	66	48	40
8	21	77	61	42	36
9	15	69.5	54	37	30
10	13.7	63	50	34	28

A22-3 loading table

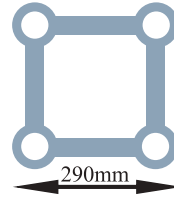
Length	UDL	CPL	3rd PL	4th PL	5th PL
m	kg/m	kg	kg	kg	kg
1	415	251	201	138	101
2	205	196	168	126	95
3	133	155	132	98	85
4	96	131	110	80	70
5	64	112	91	65	56
6	43	99	80	53	49
7	32	89	71	49	45
8	25	78	62	45	36
9	20	71	57	40	32
10	17	64	51	37	29



A29-1



A29-2

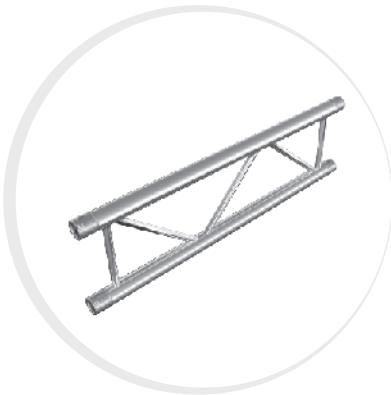


A29-3

A291-A293 TRUSS

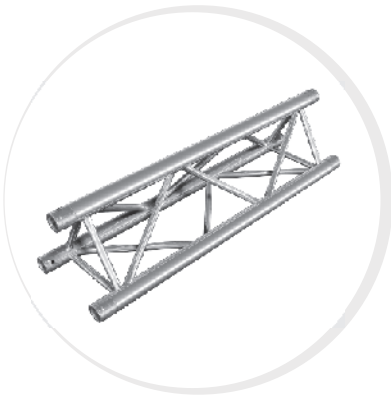
Main tube 50mm×2.0mm
 Brace 20mm×2.0mm
 Material 6082-T6
 Powder Coating and anodize coating are available

A29-1 Straight



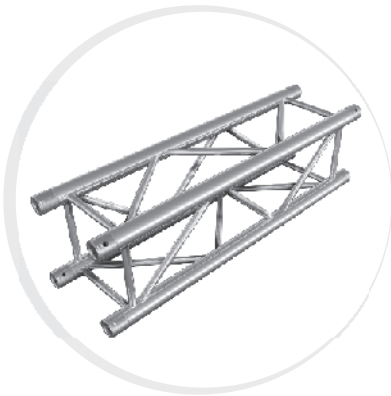
Code	Length	Weight
A291-0.5m	0.5m	1.66kg
A291-1m	1.0m	2.56kg
A291-1.5m	1.5m	3.55kg
A291-2m	2.0m	4.7kg
A291-2.5m	2.5m	5.49kg
A291-3m	3.0m	6.76kg

A29-2 Straight



Code	Length	Weight
A292-0.5m	0.5m	3.39kg
A292-1m	1.0m	5.68kg
A292-1.5m	1.5m	7.39kg
A292-2m	2.0m	9.05kg
A292-2.5m	2.5m	10.11kg
A292-3m	3.0m	12.52kg

A29-3 Straight



Code	Length	Weight
A293-0.5m	0.5m	5.32kg
A293-1m	1.0m	7.51kg
A293-1.5m	1.5m	9.83kg
A293-2m	2.0m	12.33kg
A293-2.5m	2.5m	14.35kg
A293-3m	3.0m	16.71kg

A29-1 loading table (need support at each 1 meter)

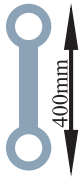
Length	UDL	CPL	3rd PL	4th PL	5th PL
m	kg/m	kg	kg	kg	kg
2	550	695	549	360	273
3	370	577	498	330	264
4	245	492	370	243	199
5	149	391	295	195	163
6	101	322	241	158	130
7	77	272	201	130	105
8	58	235	173	109	93
9	44	199	150	95	80
10	35	185	129	84	68

A29-2 loading table

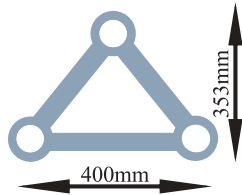
Length	UDL	CPL	3rd PL	4th PL	5th PL
m	kg/m	kg	kg	kg	kg
1	1910	782	705	601	477
2	865	602	519	411.5	350
3	382	491	413	285	240
4	214	410	320	215	176
5	138	341	255	168	139
6	95	278	207.8	140	114.9
7	66	237	177	118	99
8	52	200	153	100	82
9	40.5	175.5	131	88.5	77.9
10	32	155	115.5	77.5	65
11	24.5	134	103	69	55
12	20.1	123	92	61	49.8
13	16.5	106.8	81.6	55	45.1
14	14	97.2	73.5	47.8	40
15	10.9	85	65	42	36

A29-3 loading table

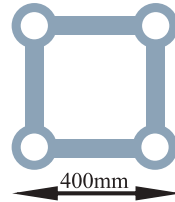
Length	UDL	CPL	3rd PL	4th PL	5th PL
m	kg/m	kg	kg	kg	kg
1	2105	900	855	750	547
2	1088	781	712	613	528
3	732	693	613	511	460
4	472	615	538	420	382
5	289	565	489	369	313
6	199	512	431	327	264
7	143	463	397	273	218
8	103	428	365	233	195
9	88	405	320	201	168
10	69	380	261	188	151
11	59	332	240	169	141
12	48	310	226	142	129
13	47	276	210	130	119
14	35.5	253	190	121	105
15	29.8	235	173	111	98
16	25.5	209	159	101	90.5
17	23	201	138	93	79
18	19.8	183	123	87	70



A40-1



A40-2

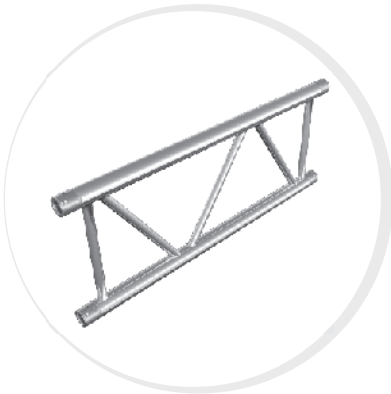


A40-3

A401-A403 TRUSS

Main tube 50mm×2.0mm
 Brace 25mm×2.0mm
 Material 6082-T6
 Powder Coating black is available

A40-1 Straight



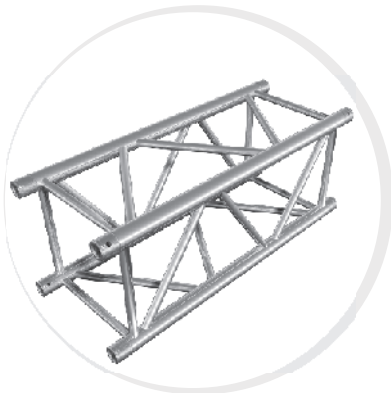
Code	Length	Weight
A401-0.5m	0.5m	2.32kg
A401-1m	1.0m	3.57kg
A401-1.5m	1.5m	4.63kg
A401-2m	2.0m	5.95kg
A401-2.5m	2.5m	7.06kg
A401-3m	3.0m	8.27kg

A40-2 Straight



Code	Length	Weight
A402-0.5m	0.5m	4.52kg
A402-1m	1.0m	6.73kg
A402-1.5m	1.5m	8.96kg
A402-2m	2.0m	11.51kg
A402-2.5m	2.5m	13.82kg
A402-3m	3.0m	15.95kg

A40-3 Straight



Code	Length	Weight
A403-0.5m	0.5m	5.85kg
A403-1m	1.0m	8.66kg
A403-1.5m	1.5m	11.65kg
A403-2m	2.0m	16.32kg
A403-2.5m	2.5m	18.45kg
A403-3m	3.0m	20.68kg

A40-1 loading table (need support at each 1 meter)

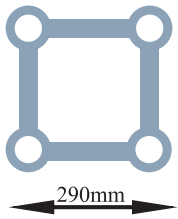
Length	UDL	CPL	3rd PL	4th PL	5th PL
m	kg/m	kg	kg	kg	kg
2	750	540	499	440	410
3	540	486	445	368	330
4	355	442	397	320	289
5	210	405	348	279	240
6	156	375	320	231	190
7	111	345	299	198	161
8	85	320	260	173	140
9	68	301	230	152	130
10	54	281	208	110	101

A40-2 loading table

Length	UDL	CPL	3rd PL	4th PL	5th PL
m	kg/m	kg	kg	kg	kg
1	910	545	520	479	453
2	668	478	438	381	354
3	467	425	382	317	240
4	314	383	341	272	289
5	198	348	302	239	243
6	136	318	273	204	206
7	101	294	249	174	169
8	75	273	226	150	142
9	70	253	198	130	123
10	45	231	174.5	116	110
11	37	207	156	103	95
12	33	187	140	92	85
13	25.6	168.5	129	82.5	76
14	22.5	158	113	75	68
15	18.8	142	103	67	60
16	15	127	94	62	50
17	12	115	85	55	47
18	10	104	78	50	42

A40-3 loading table

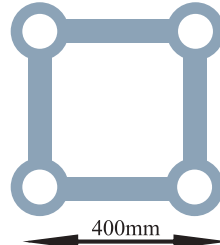
Length	UDL	CPL	3rd PL	4th PL	5th PL
m	kg/m	kg	kg	kg	kg
1	930	601	591	563	554
2	820	560	548	531	501
3	680	531	509	502	472
4	540	501	476	473	441
5	412	483	445	440	410
6	319	461	420	416	382
7	230	433	403	403	346
8	174	401	380	350	290
9	137	392	346	318	249
10	110	371	330	286	230
11	90.5	358	316	231	210
12	73.5	323	295	202	183
13	60	314	284	199	165
14	51	305	265	182	150
15	43	289	241	165	133
16	36.5	275	228	161	124
17	31	264	207	141	111
18	26	253	90	126	103



A29-4

A29-4 TRUSS

Main tube 50mm×3.0mm
 Brace 20mm×2.0mm
 Material 6082-T6
 Powder Coating black is available



A40-4

A40-4 TRUSS

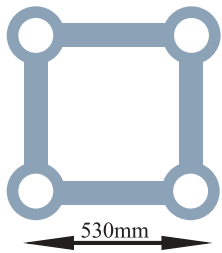
Main tube 50mm×3.0mm
 Brace 20mm×3.0mm
 Material 6082-T6
 Powder Coating black is available

A29-4 loading table

Length	UDL	CPL	3rd PL	4th PL	5th PL
←→	————	▼	▼▼	▼▼▼	▼▼▼▼
m	kg/m	kg	kg	kg	kg
1	2280	915	869	759	570
2	1132	793	728	628	566
3	749	699	627	520	472
4	497	630	546	443	394.5
5	310	564	490	386	330
6	206	518	442	331	274
7	156	477	405	282	231
8	119	438	368	244	201
9	96	414	323	216	180
10	73.5	386	287	193	160
11	59	345	260	171	142
12	50	313	233	154	128
13	44	286	216	140	117
14	38	260	194	129	109
15	29.5	240	180	118	100
16	25	219	164	111	90
17	23.5	202	152	100	86
18	22	187	140	95	76

A40-4 loading table

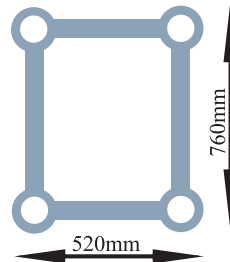
Length	UDL	CPL	3rd PL	4th PL	5th PL
←→	————	▼	▼▼	▼▼▼	▼▼▼▼
m	kg/m	kg	kg	kg	kg
1	945	615	601	579	565
2	832	571	552	542	513
3	693	546	515	513	483
4	551	512	483	482	455
5	429	490	450	439	419
6	331	471	426	427	391
7	242	441	412	413	352
8	180	403	391	329	264
9	145	390	351	322	251
10	116	373	335	291	236
11	93	360	319	237	213
12	76	328	301	207	193
13	65	317	274	203	172
14	58	308	260	186	165
15	48	296	252	168	157
16	40	285	241	159	136
17	34	277	230	148	128
18	28	267	217	139	119



A53-3

A53-3 TRUSS

Main tube 50mm×4.0mm
 Brace 25mm×3.0mm
 Material 6082-T6
 Powder Coating black is available



A52-76

A52-76TRUSS

Main tube 50mm×4.0mm
 Brace 25mm×3.0mm
 50mm×3.0mm
 Material 6082-T6

A53-3 loading table

Length	UDL	CPL	3rd PL	4th PL	5th PL
←→	—	▼	▼▼	▼▼▼	▼▼▼▼
m	kg/m	kg	kg	kg	kg
5	996	2956	2260	1501	1240
6	816	2489	1850	1205	1041
7	610	2013	1568	1020	870
8	460	1850	1380	901	760
9	360	1590	1202	806	601
10	292	1450	1078	715	530
11	234	1290	980	610	480
12	195	1185	882	583	430
13	160	1080	810	519	405
14	138	975	751	482	371
15	117	890	686	451	341
16	101	830	598	413	316
17	90	756	571	370	295
18	79	690	539	349	276
19	71	640	501	320	263
20	62	612	461	298	251
21	55	548	412	278	230
22	47	520	390	253	215
23	41	483	376	228	190
24	37	451	351	206	181

A5276 loading table

Length	UDL	CPL	3rd PL	4th PL	5th PL
←→	—	▼	▼▼	▼▼▼	▼▼▼▼
m	kg/m	kg	kg	kg	kg
10	325	540	520	439	410
12	243	523	491	415	371
14	195	511	461	392	351
16	153	490	431	363	325
18	121	465	416	342	301
20	98	450	397	312	283
22	76	420	381	305	271
24	61	412	367	289	254
26	50	399	343	273	243
28	39	386	328	259	225
30	28	372	304	246	212

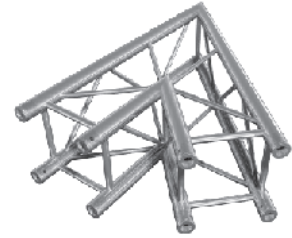
CORNER



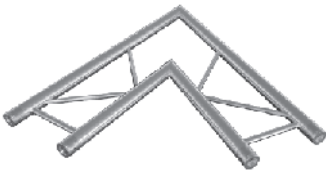
ACSA291-C45
45° 2WAY



ACSA292-C45
45° 2WAY



ACSA293-C45
45° 2WAY



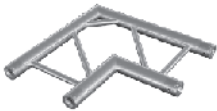
ACSA291-C60
60° 2WAY



ACSA292-C60
60° 2WAY



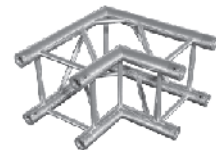
ACSA293-C60
60° 2WAY



ACSA291-C90
90° 2WAY



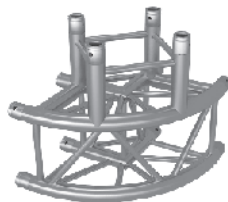
ACSA292-C90
90° 2WAY



ACSA293-C90
90° 2WAY



ACSA292-CR
90°Rounded 2WAY

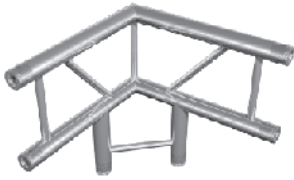


ACSA293-3CR
90°Rounded 3WAY



ACSA293-CR
90°Rounded 2WAY

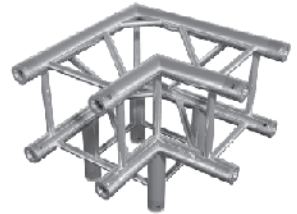
CORNER



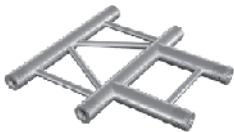
ACSA291-C91
90° 3WAY



ACSA292-C91
90° 3WAY



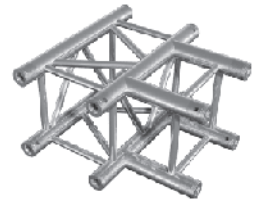
ACSA293-C91
90° 3WAY



ACSA291-C92
90° 3WAY



ACSA292-C92
90° 3WAY



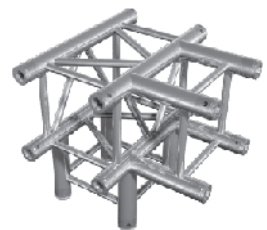
ACSA293-C92
90° 3WAY



ACSA291-C93
90° 4WAY



ACSA292-C93
90° 4WAY



ACSA293-C93
90° 4WAY



ACSA291-C94
90° 4WAY

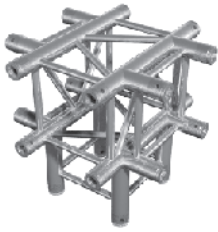


ACSA292-C94
90° 4WAY



ACSA293-C94
90° 4WAY

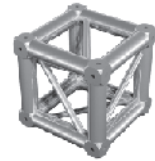
CORNER



ACSA293-C95
90° 5WAY



ACSA293-C96
90° 6WAY



ACSA293-C97
BOX CORNER



ACSA291-CR1
Rounded



ACSA292-CR1
Rounded



ACSA293-CR1
Rounded



ACSA291-BP
BASE PLATE



ACSA292-BP
BASE PLATE



ACSA293-BP
BASE PLATE



ACS-BK01
Sleeve Black



ACS-BP01
Base Plate



ACS-TS01
Top-Section

TRUSS Accessories



ACS-MH01
Manual Hoist



ACS-EH02
Electric Hoist



ACS-HC03
Electric Hoist Controller



ACS-PIN01
PIN With Rclip



ACS-HCO2
Half Conical Coupler



ACS-CC03
Conical Coupler



ACS-HI03
Hinge



ACS-SL01
Sleeve



ACS-SP02
Spacers

TRUSS Clamps



ACS-TC50-30
For tube diameter 48-51mm, clamp width 30mm, load capacity 200kg.

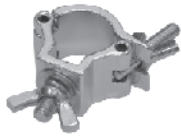


ACS-TC50-30D
For tube diameter 48-51mm, clamp width 30mm, load capacity 300kg.

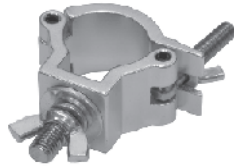


ACS-TC50-50
For tube diameter 48-51mm, clamp width 50mm, load capacity 500kg.

TRUSS Clamps



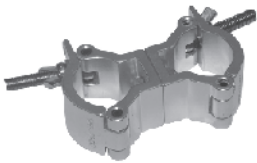
ACS-TC20-20S
For tube diameter 20mm,
load capacity 50kg.



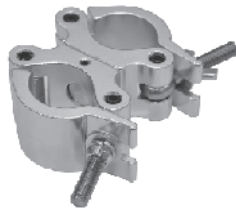
ACS-35-35S
For tube diameter 32-35mm, clamp width
35mm, load capacity 75kg.



ACS-50-30S
For tube diameter 48-51mm, clamp width
30mm, load capacity 250kg.



ACS-35-35D
For tube diameter 32-35mm, clamp width
35mm, load capacity 50kg.



ACS-TC50-50D
For tube diameter 48-51mm, clamp width
50mm, load capacity 500kg.



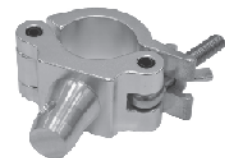
ACS-TC50-50S
For tube diameter 48-51mm, clamp width
50mm, load capacity 100kg.



ACS-TC50-502D
For tube diameter 48-51mm, clamp width
50mm, load capacity 100kg.



ACS-TC50-502S
For tube diameter 48-51mm, clamp width
50mm, load capacity 250kg.



ACS-TC50-503S
For tube diameter 48-51mm, clamp width
50mm, load capacity 500kg.



ACS-TC30-50B
For tube diameter 48-51mm, clamp width
30mm, load capacity 250kg.



ACS-TC30-50B1
For tube diameter 48-51mm, clamp width
30mm, load capacity 250kg.

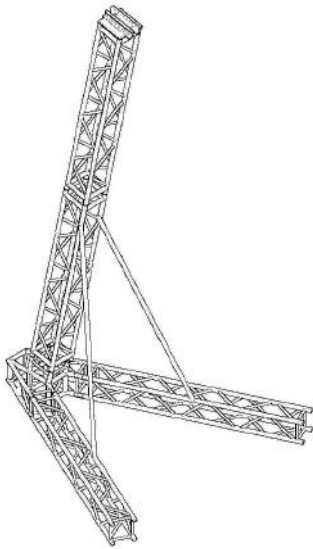


ACS-TC50-50B
For tube diameter 48-51mm, clamp width
50mm, load capacity 500kg.

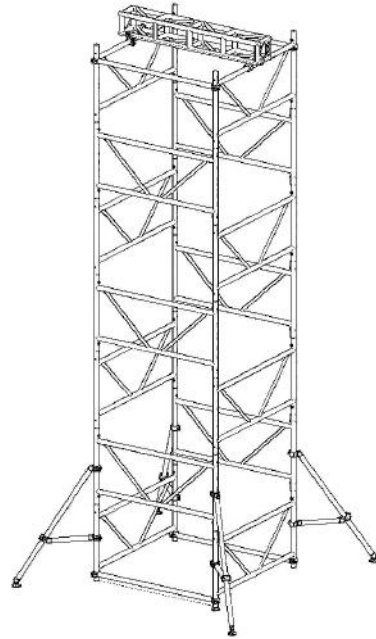
Speaker Truss

Max height:7920mm
Max lifting height:7600mm
Truss section:3 sets
Main tube:50*3mm
Brace tube:25*2mm
Max loading capacity:800kg

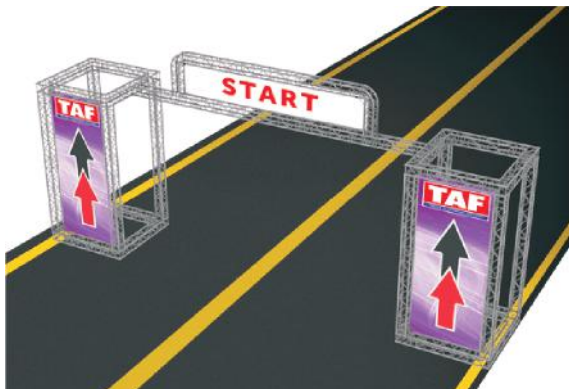
It consists of a truss, single panel,crossbar,sloped Tube and sloped support



Start lines



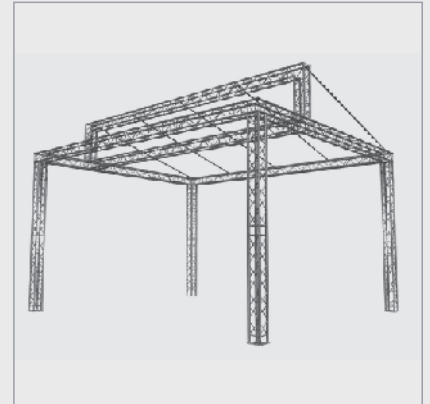
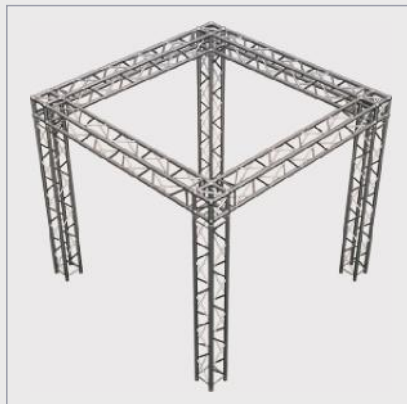
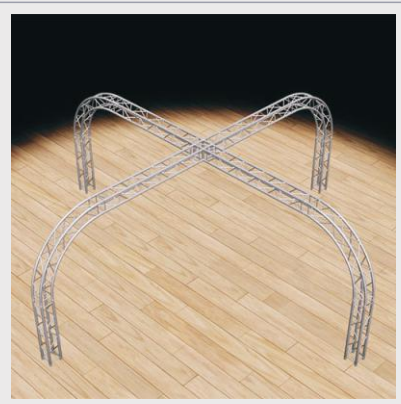
Finish lines



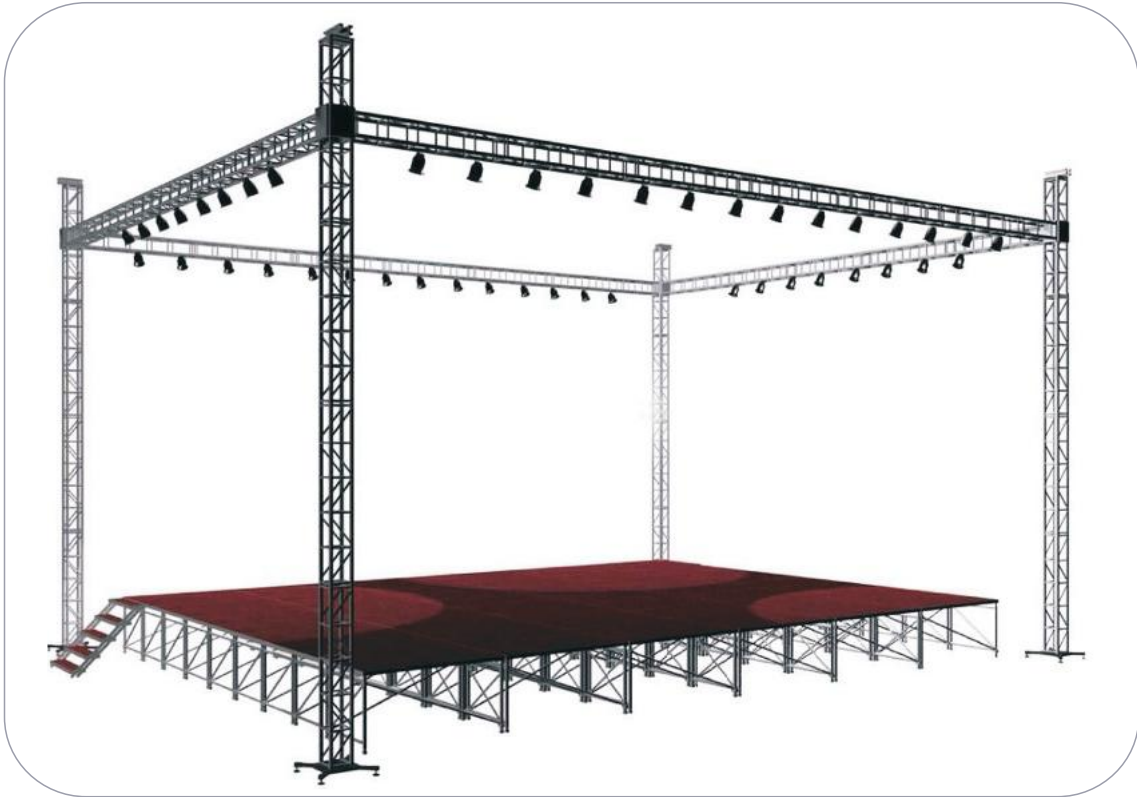
Screen TRUSS



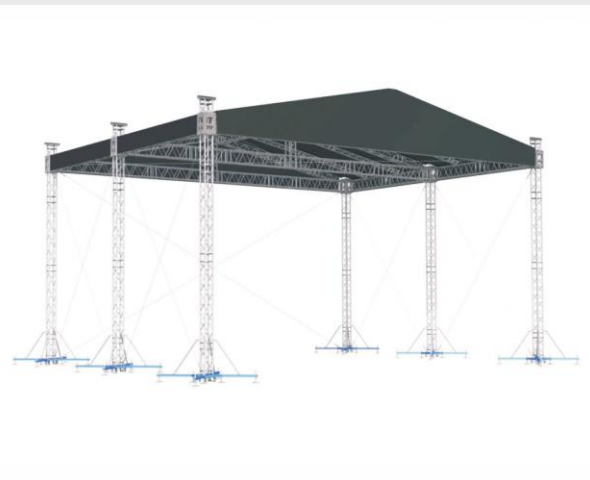
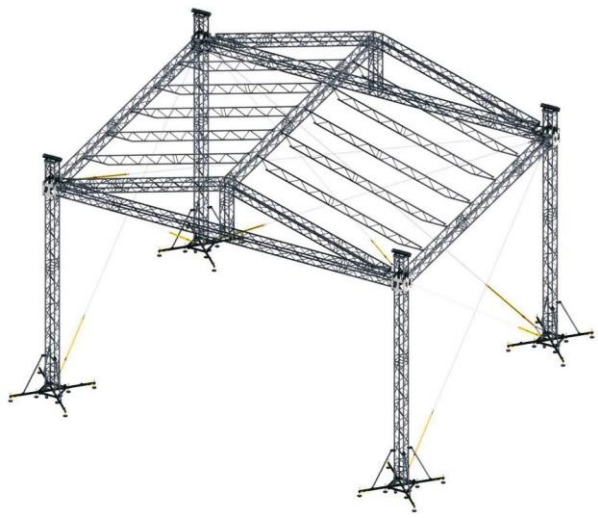
Booth Truss



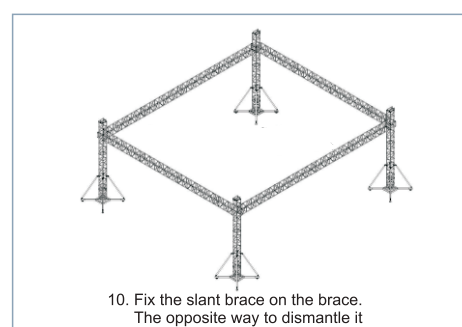
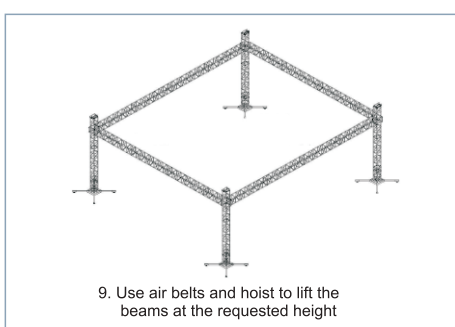
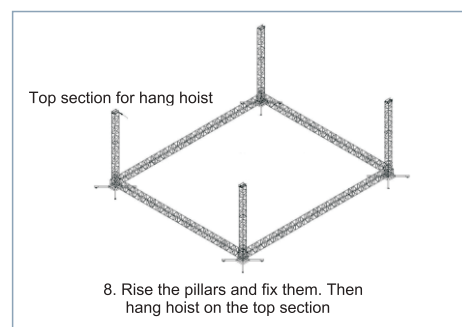
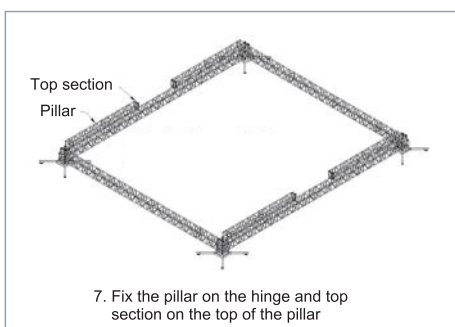
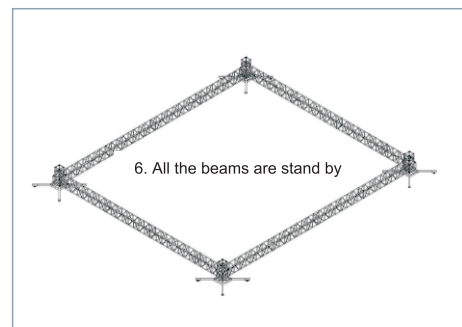
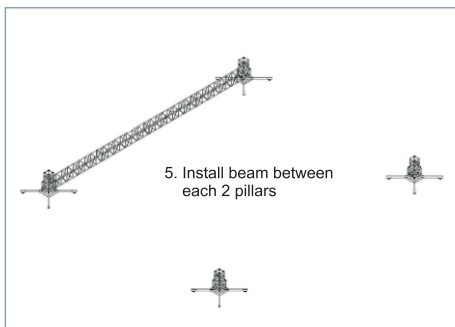
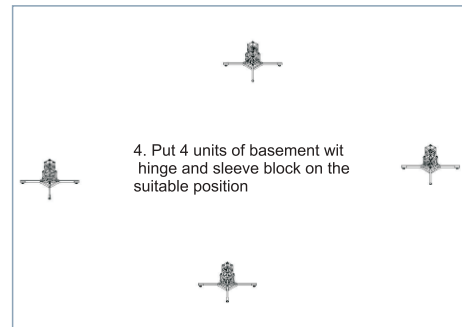
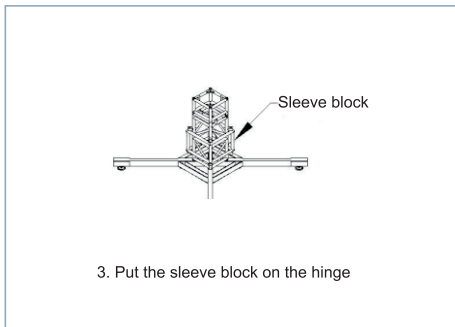
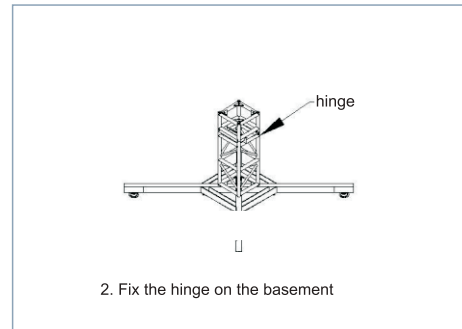
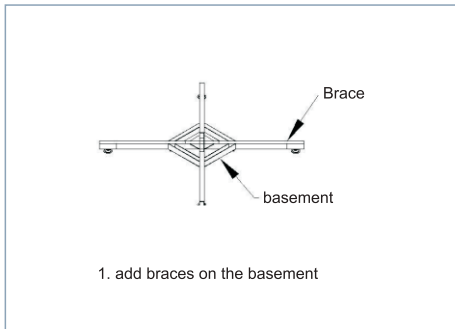
Concert Truss System



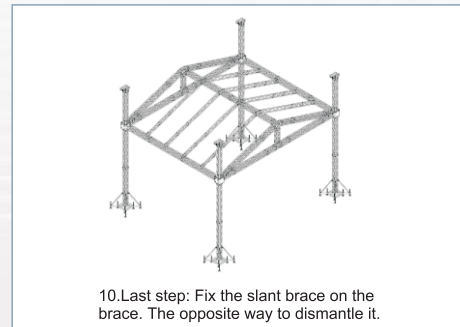
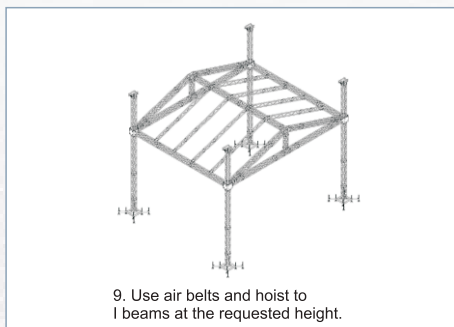
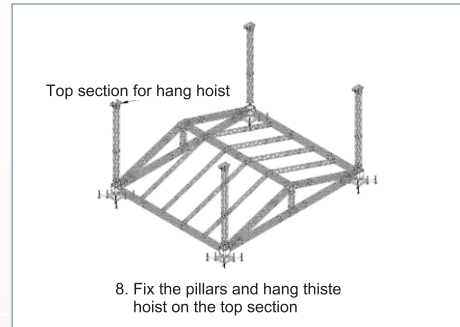
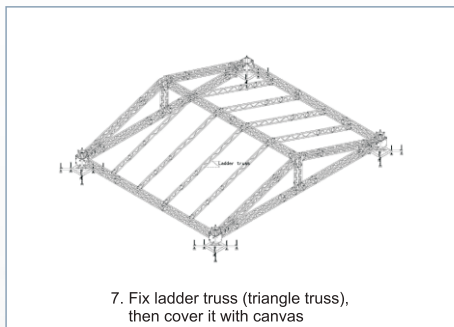
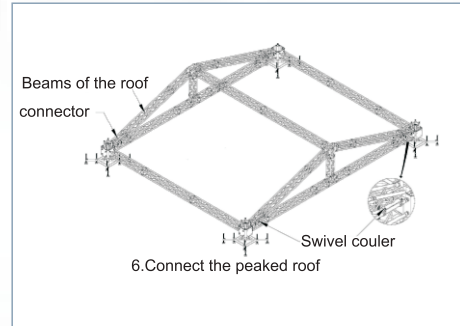
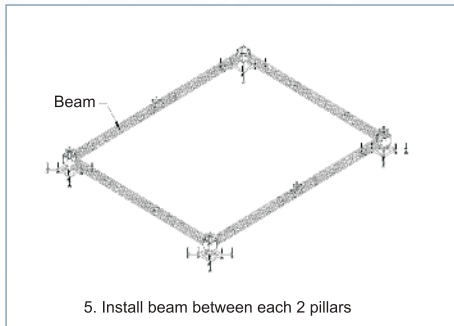
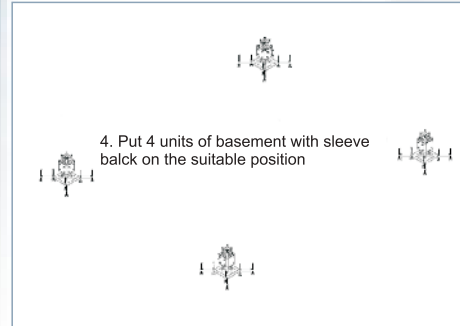
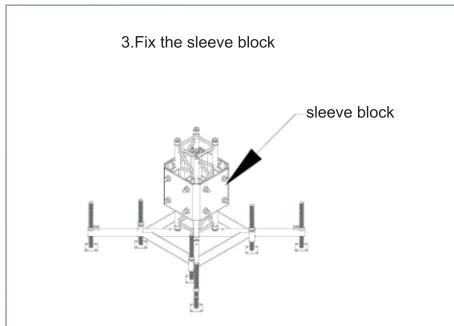
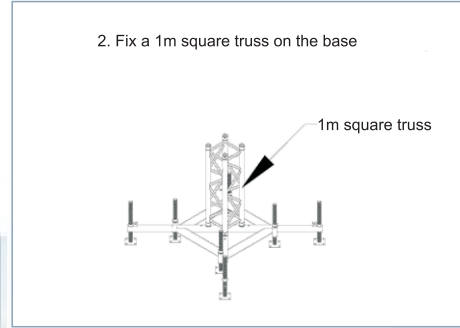
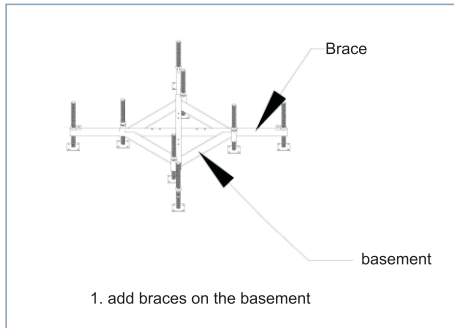
Concert Truss System



Installation Steps (Truss without roof system)



Installation Steps (Truss with Peaked Roof)



Crowd Barrier



Barrier

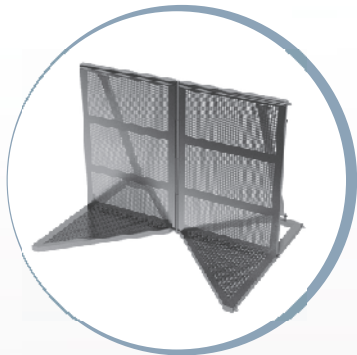
Dimension:1000x1250x1200mm

Safety barriers light, made of steel tubes and bars, hot-dip galvanised or powder coated. Special fasteners ensure strong and stable connections and prevent undesirable disassembly during an event. Used to ensure safety during large events.



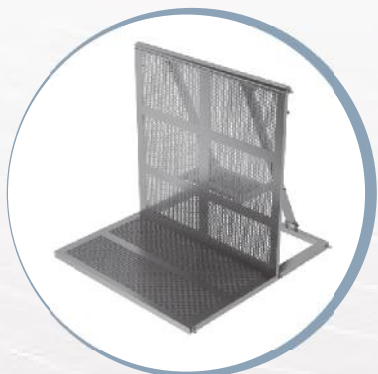
Black

The raw material can be aluminum alloy or steel. High quality,durable,corrosion resistance, aging resistance.



Corner

Each section is equipped with a simple locking mechanism to effectively create a secure barricade that takes only minutes to assemble.



Front

All types of crowd management barricades to suit your needs. Let me know your demand, we will help your event become the success you expect it to be.

Pipe and drape



- > Light Weight Aluminum Poles
- > Stable and durable
- > Diversified and plasticity
- > Easy assemble and transport
- > Practical and economical

Using in multiple occasions and venues. Stage backdrop, Hotels, Exposhow booths, Weddings, School, Ball rooms. Crossbars can be add up extended according to actual needs.

ACS-Upright



Tube size: 50x1.5mm, 45x1.5mm, 42x1.2mm

Code	Size	Weight
ACS-U35	3'-5' Adjustable Upright (0.91m - 1. 52m)	1.5KG
ACS-U47	4'-7'Adjustable Upright (1.22m - 2.1m)	1.7KG
ACS-U58	5'-8'Adjustable Upright (1.52m - 2.44m)	1.9KG
ACS-U61	6'-10'Adjustable Upright (1.83m - 3.05m)	2.2KG
ACS-U712	7'-12' Adjustable Upright (2.13m - 3.66m)	2.55KG
ACS-U814	8'-14'Adjustable Upright (2.44m - 4.27m)	2.9KG
ACS-U916	9'-16' Adjustable Upright (2.74m - 4.88m)	3.25KG
ACS-U3614	6'-14' Adjustable Upright (1.83m - 4.2m)Three Section	3.5KG
ACS-U3717	7'-17'Adjustable Upright (2.13m-5.18m)Three Section	4KG
ACS-U3820	8'-20'Adjustable Upright (2.44m - 6.10m)Three Section	4.6KG
ACS-U3923	9'-23'Adjustable Upright (2.74m - 7m)Three Section	5.3KG

ACS-Crossbar

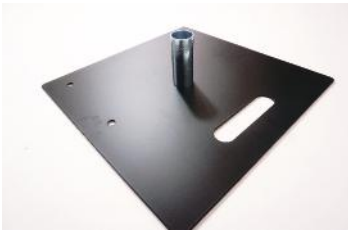


Tube size: 38x1.5mm, 34x1.5mm

Code	Size	Weight
ACS-C35	3'-5' (Stops at 3'&5')0.91m-1.5m-1.52m	1.0KG
ACS-C47	4'-7'(Stops at 4',6'&7')1.22m-2.13m	1.1KG
ACS-C610	6'-10'(Stops at 6',8'&10')1.83m-3.05m	1.5KG
ACS-C712	7'-12'(Stops at 7',8',10'&12')2.13m-3.66m	1.8KG
ACS-C814	8'-14' (stops at 8',10',12' & 14')2.44m-4.27m	2.3KG
ACS-C916	9'-16'(stops at 9',10',12',14' & 16')2.74m-4.88m	2.8KG

ACS-Baseplate

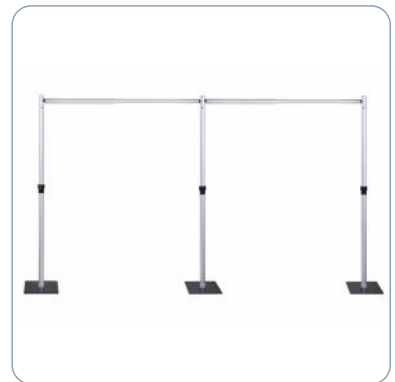
Tube size: 38x1.5mm, 34x1.5mm



Code	Size	Weight
ACS-B4545	18" x 18" x 3/16"(450*450* 5mm)	7.0KG
ACS-B50505	19.7" x19.7" x 3/16"(500* 500*5mm)	9.8KG
ACS B50508	19.7" x19.7" x 5/16" (500*500*8mm)	15.6KG
ACS-B505010	19.7" x19.7" x 6.5/16" (500*500*10mm)	19.6KG
ACS-B60605	24" x 24" X 3/16" (600* 600* 5mm)	14.6KG
ACS- B60608	24" x 24" x 5/16" (600* 600* 8mm)	23.4KG
ACS-B606010	24" x 24" x 6.5/16* (600*600* 10mm)	29KG



Modified Design



Packing



Packing Upright



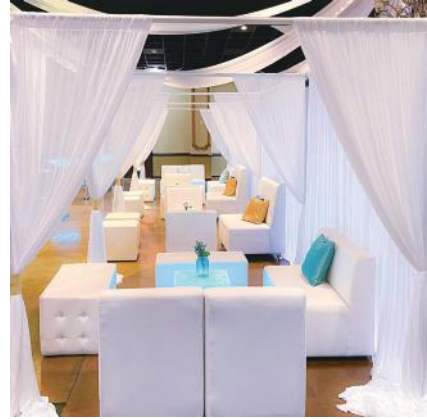
Packing Crossbar



Bag



Packing Baseplate



Drape

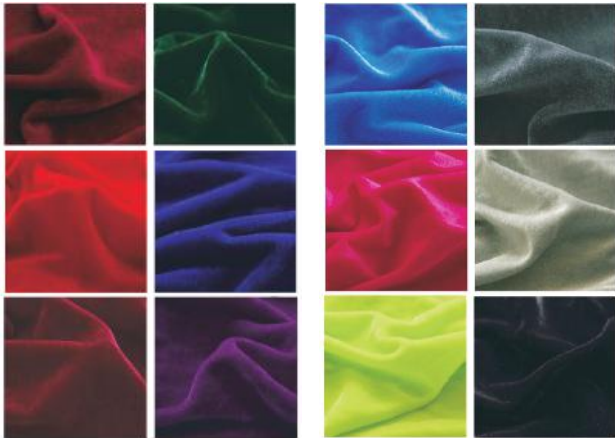
Pleuche and Velvet are widely used for various occasions. It can be designed by your needs. And it has a variety of colors for you choice.



Pleuche Drape(230g/sq.m)



Velvet(230g/sq.m)



LED Star Curtain

The LED star curtain is indispensable for a party. It will attract everyone's attentions, and let your party have very high popularity.

White / RGB LED Star Curtain:

- > Very beautiful
- > Durable and Economical
- > Easy to install and storage
- > Safety and color diversity



The curtain can also be designed to two layers and use it only in dry locations. Keep this device away from rain and moisture, excessive heat, humidity and dust.

Product Parameters
 Voltage: AC 90V-260V/50HZ
 Color: White/RGB
 Channels: 8CH
 Lamp:φ5(Each square 20pcs)
 Use: 3A(Power Supply) 10A(Control PCB)
 Curtain material: Fire proof velvet
 Programs: 17 programs
 Weight: 7kg
 Control System : all on /DMX Control/ Sound Active/ Automatic
 All sizes can made by your requirement
 Size: 2m/height; 8m/width

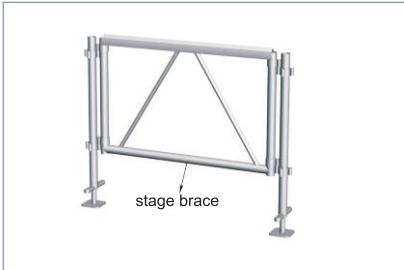
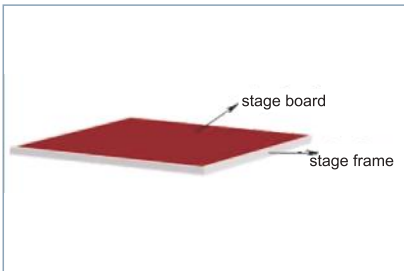
Controller



Button	Function
FUN	Menu of Function
ENTER	Display menu or set the selected menu as the function you need
UP	Upwards the menu or increase the number value of the function you selected
DOWN	Downwards the menu or decrease the number value of the function you selected

Aluminum stage

Aluminum stage is composed of stage platform, brace, stand, adjustable base. Many stage cover can be choose, We offer different stage cover for you to choose as well as the stage size. Guardrail can ensure the stability of the stage. And different stairs and legs are also provided accordingly.



Thickness of plywood: 18mm
 Surface: Non-slip, Carpet, Plexiglass
 Thickness of tube: 50x3mm
 Max loading: 750KG/sq.m

ACS-SP

Code	Stage Size	Weight
ACS-SP11	1 x 1m	17kg
ACS-SP12	1 x 2m	32kg
ACS-SP44	1.22 x 1.22m 4 x 4ft	23.5kg
ACS-SP48	1.22 x 2.44m 4 x 8ft	43kg

ACS-SB (stage height: 0.6-1m)

Code	Stage Size	Weight
ACS-SB1	1.0m	5.5kg
ACS-SP12	2.0m	8kg
ACS-SP44	1.22m	6kg
ACS-SP48	2.44m	8.7kg

ACS-AS

Code	Stage Size	Weight
ACS-AS35	0.3-0.5m	1kg
ACS-AS46	0.4-0.6m	1.2kg
ACS-AS610	0.6-1.0m	1.7kg
ACS-AS812	0.8-1.2m	2.5kg
ACS-AS115	1.0-1.5m	3kg
ACS-AS158	1.5-1.8m	3.5kg

ACS-AB: 0.8KG

Organic glass stage



ACS-SG

Code	Stage platform	Weight
ACS-SG11	1 x 1m	28kg
ACS-SG12	1 x 2m	53kg
ACS-SG44	1.22 x 1.22 m 4 x 4ft	38kg

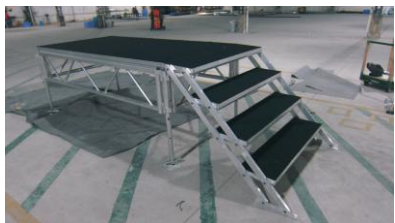
Stage Handrail



ACS-SH

Code	Length Height	Weight
ACS-SH11	1 x 1m	3.5kg
ACS-SH21	2 x 1m	6.3kg
ACS-SH41	1.22 x 1m	4kg
ACS-SH81	2.44 x 1m	7.6kg

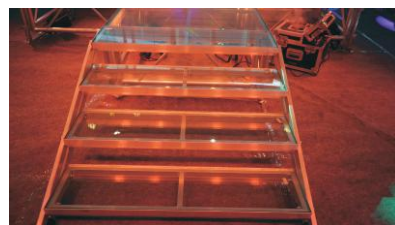
Stage Stair



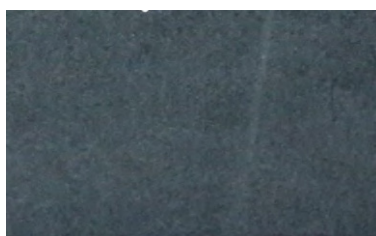
ACS-ST

Usually the height of a step is 25-30mm.

Surface of stage



Non-slip

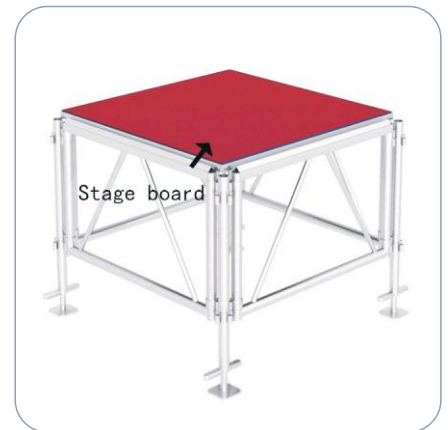
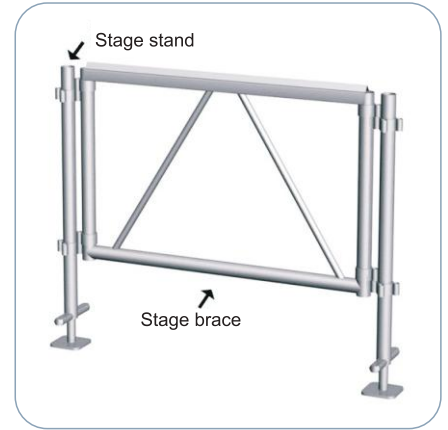
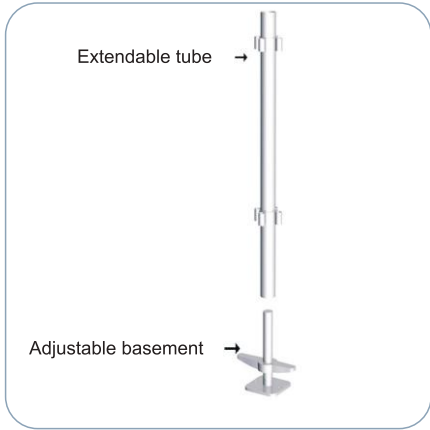


Carpet



Organic glass

Installation steps



Stage Assemble



“4 Legs” stage

Thickness of plywood: 18mm
 Aluminum frame: 80 mm
 Surface: Carpet, Non-slip, Plexiglass
 Thickness of legs: 50x3mm
 Max loading: 750KG/sq.m

4 legs” stage is only composed of stage platform and legs. So it is quite easy to assemble, remove and able to build different size such as T shape platform etc. According to the needs, It can be transported by a trolley.



ACS-4S

Code	Stage Size	Weight
ACS-4S11	1×1m	25kg
ACS-4S12	1×2m	38.5kg
ACS-4S44	1.22×1.22m 4×4ft	31kg
ACS-4S48	1.22×2.44m 4×8ft	48.5kg

ACS-4FL

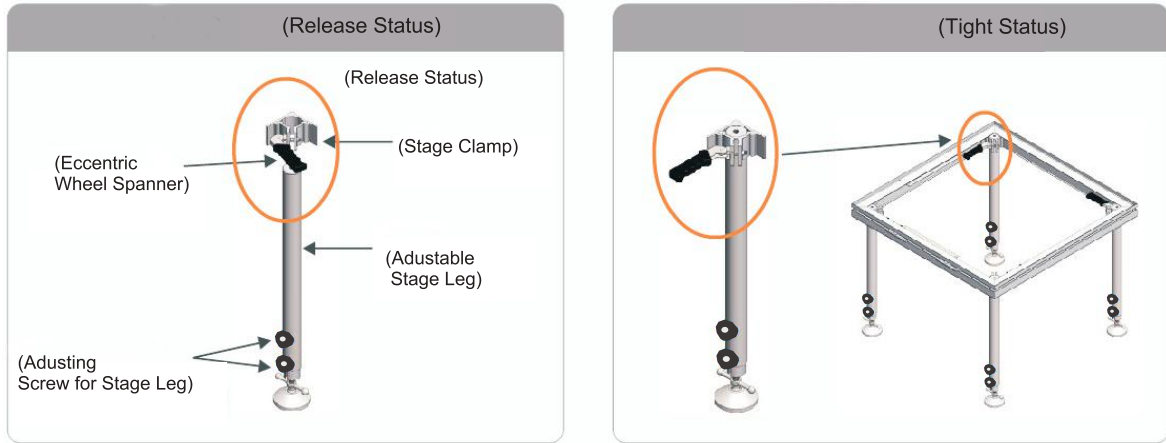
Code	Fixed Height	Weight
ACS-4L2	0.2m	0.6kg
ACS-4L3	0.3m	0.7kg
ACS-4L4	0.4m	0.75kg
ACS-4L6	0.6m	0.9kg
ACS-4L8	0.8m	1.05kg

ACS-4AL

Code	Adjustable Height	Weight
ACS-4L35	0.3-0.5m	1.4kg
ACS-4L46	0.4-0.6m	1.5kg
ACS-4L61	0.6-1.0m	1.8kg
ACS-4L712	0.7-1.2m	2.0kg
ACS-4L814	0.8-1.4m	2.2kg
ACS-4L916	0.9-1.6m	2.4kg
ACS-4L118	1.0-1.8m	2.6kg

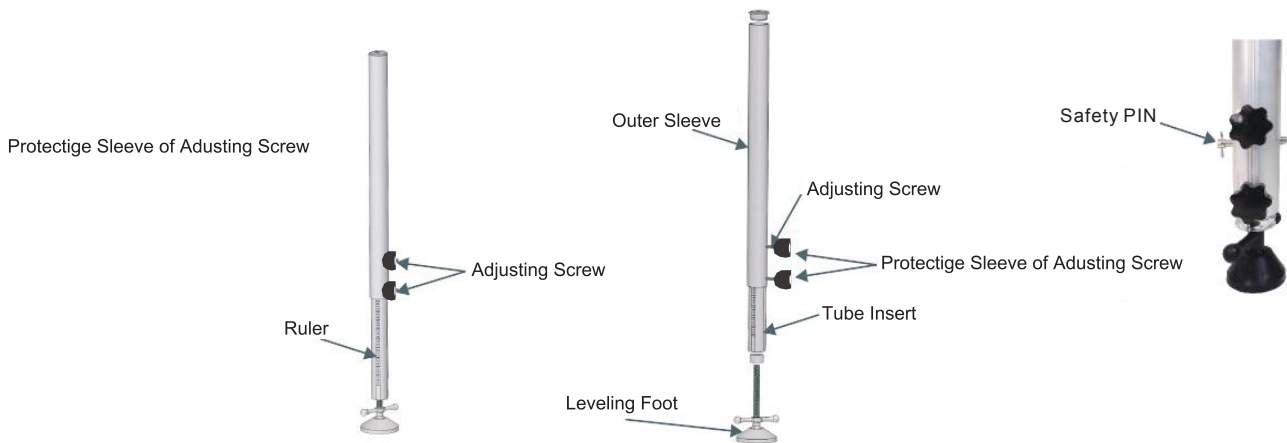
Fast Assembled&Disassemble

This stage can be quickly assembled and easily disassembled by using eccentric wheel spanner.

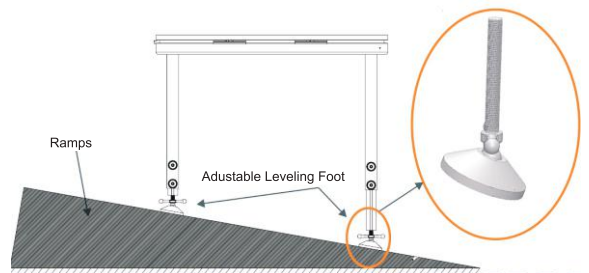
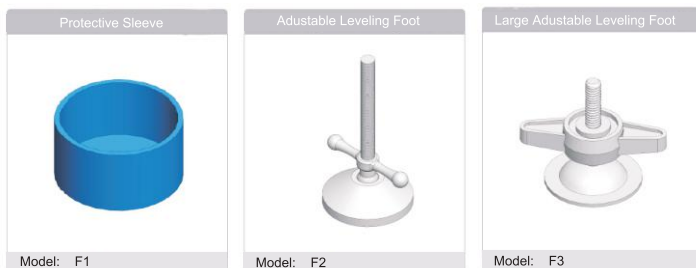


Adjustable Stage Legs

The telescopic structure is adopted in the Stages. Stage height can specially be adjusted through the adjusting screws



Kinds of Leveling Feet for Selections



Easy mounting handrails

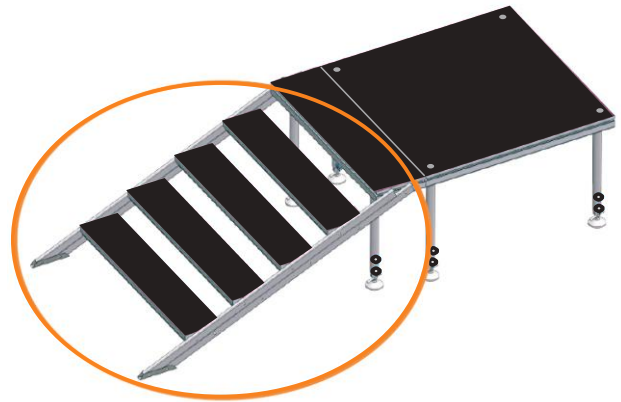
The handrails are easy installed by the latches screws, connecting strongly to the aluminum frame.



Choral Stage



Stage Stairs



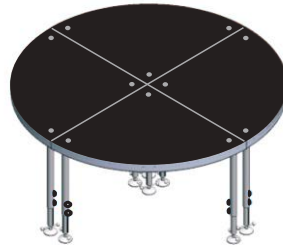
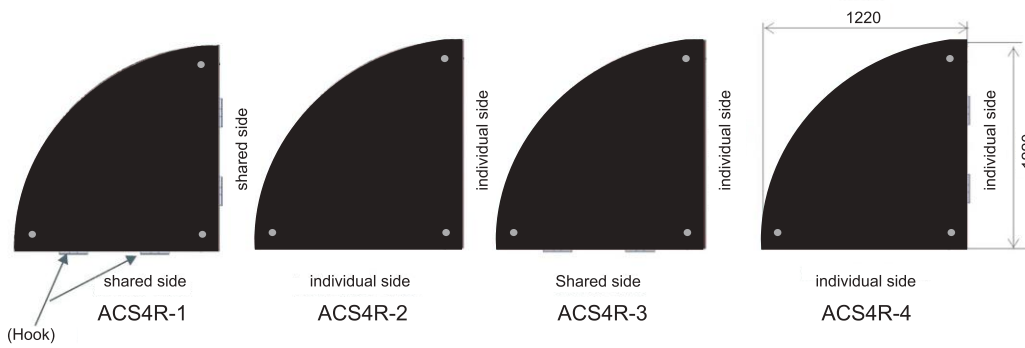
Stage Stairs Handrail



Trolley



Rounded stage



ACS-4R

Specification: R=1.22M
 Loading Capacity: 330KG/sq.m
 Weight: 18.5kg/pcs
 Size: Can be customized

ACS-4G Organic glass stage



Code	Stage Platform	Weight
ACS-SP11	1 X 1m	36kg
ACS-SP12	1 X 2m	60kg
ACS-SP44	1.22 X 1.22m 4 X 4ft	46kg

Stage Accessories



Riser stage

Riser stage is composed of special folding riser and a platform, which make the lightweight ,compact stable and beautiful.The riser and the platform are very firmly combined via a special lock. Also , a platform can link with another one through the lock system located within the frame of every stage panel.We have different shape and height of stage for your option.

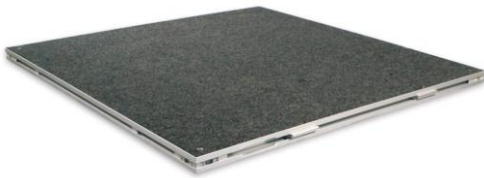


Thickness of plywood:18mm/30mm
 Surface: Carpet, Non-slip, Plexiglass
 Thickness of pipe: 12*1.5mm
 Max loading:750KG/sq.m

ACS-RS

(Follow all of platforms is 30mm thickness)

Code	Stage Size	Weight
ACS-SP11	1 x 1m	15kg
ACS-SP12	1 x 2m	28kg
ACS-SP43	0.91 x 0.91m 3 x 3ft	14kg
ACS-SP44	1.22 x 1.22m 4 x 4ft	22kg



ACS-RL

Code	Fixed Height	Weight
ACS-RL2	0.2m	2.4kg
ACS-RL3	0.3m	2.6kg
ACS-RL4	0.4m	2.8kg
ACS-RL6	0.6m	3.8kg
ACS-RL8	0.8m	4.6kg

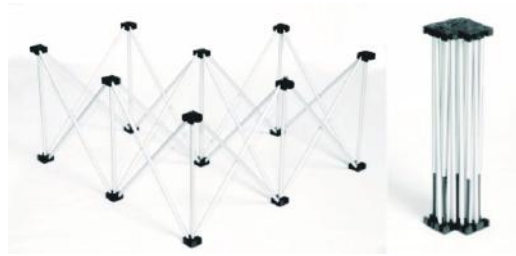


Triangle shape



Quarter Round

Size: R=1m,3ft,4ft



Step

Size: 925*325mm, 1220*325mm



Guard Rails

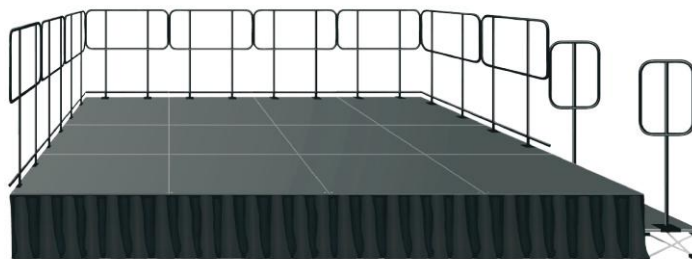
Guard rails are designed to keep performers safe, our guard rails are available in 3 sizes to fit our 2m x 1m platforms, 1m x 1m platforms or our step platforms.



Guard Rails for Step Platforms



Guard Rail for Stage Platforms



Install the guard rail on stage

Skirt



The color and size can be customized
Stage Backdrops



The T-bar: wide 1m and adjustable high 1-3m



The stage curtains can be customized. Usually are wide panels and are made available in 3m x 1m of a black or white fire retardant material



Storage/transportation bags are available (bag fits 2 backdrops).

Wheelchair Ramps

Ramps are consist of metal frames and adjustable legs. How do they work? Metal frames and ramp legs are set-up and then the ramp legs are adjusted to create the necessary slope for the ramp . Then the standard 1m x 1m platforms are installed into the metal frames It can be straight or swerve.



Trolley Stage Platform Transportation Caster System



Holding up 40pcs 3 X 3ft
36pcs 1 X 1m
26pcs 4 X 4ft
20pcs 1 X 2m

Riser/Skirt/Accessory Cases



Custom-designed cases for different quantity riser and skirts

Guard Rail/ Ramp Transportation Systems



The trolley system consists of a universal trolley that houses either guard rails

Cart



Each flight cart fits 12 platforms and 12 risers

Storage Cases



Each flight case fits 6 platforms and 6 risers and even features additional space for hardware, clamps and skirts.

Standard Rack Case



3/8", 9mm laminated Plywood, 2 Lids: Front & Back Removable Lids that attached eggs sheet foam, Standard Front & Rear rack rails, Double angle aluminum extrusion, aluminum tongues and grooves, 8 Heavy duty twist latches, 4 heavy duty Handles, Washers are used on every rivets if it's needed, 8 Extra strong steel ball corners(6 rivets per corner).

Caster: 3" 3.5" 4" available.

Available Depth: 14inch ,18inch ,19inch ,20inch ,22inch, 24inch.

Available Sizes: 1space (44.45mm 1.75") to 45 spaces (2m/6ft 7").

Available from 1 space to 45 spaces. Please specify length(number of spaces)when ordering.

different colors available



Production description

Span(M)	Length(mm)	Wide(mm)	High(mm)	Weight(kg)
2U	680	524	120	10
4U	680	524	212	12.8
6U	680	524	303	16
8U	680	524	390	24.3
10U	680	524	480	27
12U	680	524	570	30
14U	680	524	657	31.8
16U	680	524	746	33.5
18U	680	524	837	35.4
20U	680	524	924	38

Three Door Rack Case

3/8", 9mm laminated Plywood, 2 Lids: Front & Back&Top Removable Lids that attached eggs sheet foam, Standard Front & Rear rack rails, Double angle aluminum extrusion, aluminum tongues and grooves,8 Heavy duty twist latches, 4 heavy duty Handles, Washers are used on every rivets if it's needed, 8 Extra strong steel ball corners(6 rivets per corner).

Caster:3" 3.5" 4" available.

Available Depth: 14inch ,18inch ,19inch ,20inch ,22inch, 24inch.

Available Sizes:1space (44.45mm 1.75")to 45 spaces (2m/6ft 7")

Available from 1 space to 45 spaces. Please specify length(number of spaces)when ordering.



different colors available



Production description

Span(M)	Length(mm)	Wide(mm)	High(mm)	Remark
4U	680	524	420	accommodate the mixer below width483mm(19"), depth 500mm, height 130 mm, also can add work station.
6U	680	524	510	
8U	680	524	500	
10U	680	524	690	
12U	680	524	778	
14U	680	524	867	
16U	680	524	956	
18U	680	524	1045	
20U	680	524	1134	

Mixer Rack Case

3/8", 9mm laminated Plywood, 2 Lids: Front & Back Removable Lids that attached eggs sheet foam, Standard Front & Rear rack rails, Double angle aluminum extrusion, aluminum tongues and grooves, 6 Heavy duty twist latches, 4 heavy duty Handles, Washers are used on every rivets if it's needed, 8 Extra strong steel ball corners(6 rivets per corner).

Caster: 3" 3.5" 4" available.

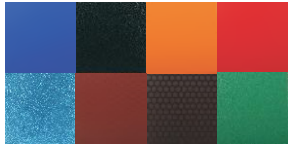
Available Depth: 14inch ,18inch ,19inch ,20inch ,22inch, 24inch.

Available Sizes: 1space (44.45mm 1.75")to 45 spaces (2m/6ft 7").

Available from 1 space to 45 spaces. Please specify length(number of spaces)when ordering.



different colors available



Production description

Span(M)	Length(mm)	Wide(mm)	High(mm)	Remark
6U	680	524	473	accommodate the mixer below width 483mm(19"), depth 500mm, height 130 mm, also can add work station.
8U	680	524	562	
10U	680	524	638	
12U	680	524	727	
14U	680	524	816	
16U	680	524	905	
18U	680	524	994	
20U	680	524	1083	

Shock Mount Rack Case

3/8", 9mm laminated Plywood, 2 Lids: Front & Back Removable Lids that attached eggs sheet foam, Standard Front & Rear rack rails, Double angle aluminum extrusion, aluminum tongues and grooves, 4 Heavy duty twist latches, 2 heavy duty Handles, Washers are used on every rivets if it's needed, 8 Extra strong steel ball corners(6 rivets per corner).

Caster: 3" 3.5" 4" available.

Available Depth: 14inch ,18inch ,19inch ,20inch ,22inch, 24inch.

Available Sizes: 1space (44.45mm 1.75") to 45 spaces (2m/6ft 7").

Available from 1 space to 45 spaces. Please specify length(number of spaces)when ordering.



different colors available



Production description

Span(M)	Length(mm)	Wide(mm)	High(mm)	Weight(kg)
2U	680	604	200	13
4U	680	604	290	20
6U	680	604	380	28
8U	680	604	472	25
10U	680	604	560	40
12U	680	604	650	44
14U	680	604	737	47
16U	680	604	826	49.5
18U	680	604	915	52.3
20U	680	604	1003	55.4

Three Door Shock Mount Rack Case

3/8", 9mm laminated Plywood, 3 Lids: Front & Back & Top Removable Lids that attached eggs sheet foam, Standard Front & Rear rack rails, Double angle aluminum extrusion, aluminum tongues and grooves, 6 Heavy duty twist latches, 4 heavy duty Handles, Washers are used on every rivets if it's needed, 8 Extra strong steel ball corners(6 rivets per corner).

Caster: 3" 3.5" 4" available.

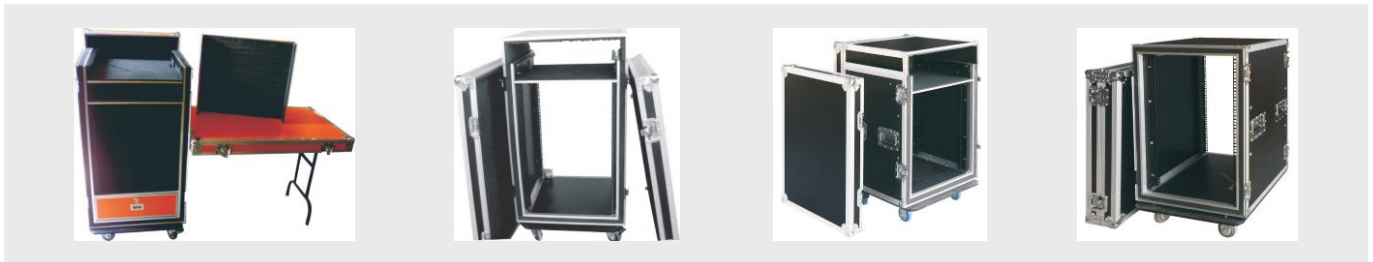
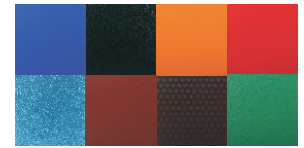
Available Depth: 14inch ,18inch ,19inch ,20inch ,22inch, 24inch.

Available Sizes: 1space (44.45mm 1.75") to 45 spaces (2m/6ft 7").

Available from 1 space to 45 spaces. Please specify length(number of spaces)when ordering.



different colors available



Production description

Span(M)	Length(mm)	Wide(mm)	High(mm)	Remark
10U	680	604	730	accommodate the mixer below width 483mm(19"), depth 500mm, height 130 mm, also can add work station.
12U	680	604	810	
14U	680	604	897	
16U	680	604	996	
18U	680	604	1077	
20U	680	604	1154	

Speak/AMP Case



OHM Speak Case



215" Speaker Case



215" Speaker Case



215" Speaker Case



215" Speaker Case



Double 15" Speaker Case



Double 18" Speaker Case



Line Array 12
Speaker Case



Loud Speaker Flight
Case-2



New Case



PS 15" Speaker Case



RIGAL

Microphone Case



Mic Stand Case



Microphone box
with shelves



Microphone Case 8



Microphone Case 9



Microphone Case 18



Microphone Case 24



RIM12S



RIWIRELESS



Wireless microphone
case with drawer



24 Microphone case



Green fireproof wireless
micro case with drawer



4 Microphone case
in two door

Lighting Case



4 LED Lighting Cases



8 LED Par Light Case



515 Moving Lighting Case



Moving Lighting Case



Led Cabinet Case



Double Plasma Case



Mini Speaker Case



4 Spot Led 350 Led
Chauvet Lighting Case



Lighting Case



Moving lighting Case-2



45~55inch plasma Case



Double Spot LED 350 LED
Chauvet Lighting Case

DJ Case



CDJ2000+DJM400+CDJ2000
with Laptop Tray



CDJ2000+DJM400+CDJ2000
with Laptop Tray 2



Traktor S2+laptop tray+trolley+wheels



Traktor S4+laptop tray+trolley+wheels



DJM with computer table(2)



Pioneer DDJSX+laptop tray+
trolley+wheels



Numark NS6 with Laptop tray



Pioneer DJ case for Dual CDJ-400 and
DJM-700 in Powered black hardware
and red fire-Proof plywood



Pioneer DDJSZ+laptop tray+
trolley+wheels



Pioneer DDJSR+laptop tray+
trolley+wheels



Numark NS7II DJ Controller
Flight Cases+Laptop Tray



RIL10MIX

Utility Trunks



Cable Case



Cable Case (2)



Cable Case with Trolley



Silver Cable Case with Trolley



Utility Case



RIUT1



6 drawer with dj table



8 drawer with dj table



Utility Case



4 drawer with dj table



Utility Case with Wheels+Handle



Utility Case with Wheels+Trolley

ABS Rack Case



ABS 2U



ABS 3U



ABS 4U



ABS 6U



ABS 6UWT



ABS 8U



ABS 8UWT



ABS 10U



ABS 12U



High Loading Weight
ABS Case



Plastic Case with Mixer



Plastic Case with Mixer-2

Music Instrument Case



Keyboard Case



keyboard case with cable storage



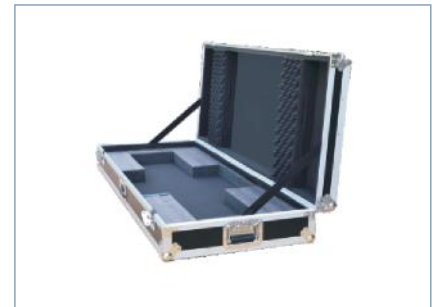
CD 200 with Trolley Handle



CD 320 with Trolley Handle



case guitar



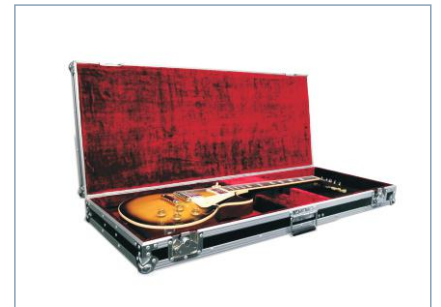
Keyboard Case



Big Mixer Case



New designed durable doghouse for Yamahamixer case



Plywood Guitar Case



88 Key Keyboard Case



Big Rubber Feet for Mixer Case



Midas Big Mixer Case

A high quality always comes from BLOSSOM
Any requirement will strive for excellence !!

**QINGDAO BLOSSOM
FURNISHINGS LIMITE**

Website: www.blossomfurnishings.com

Office call: 0086-532-68995656

Contact:

Mr.Bob (Owner) Email: info@blossomfurnishings.com

Mobile / Whats App: 0086-18660219604

Ms.Betty (GM) Email: betty@blossomfurnishings.com

Mobile / Whats APP: 0086-13605329642

Bob Tan

WhatsApp 联系人



Betty Guo

WhatsApp 联系人

